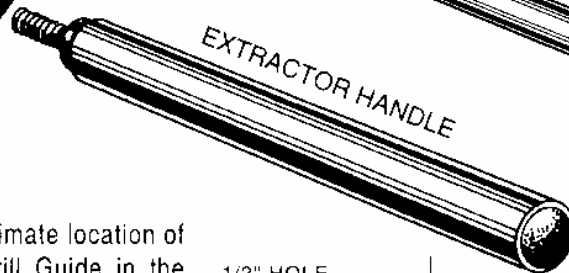
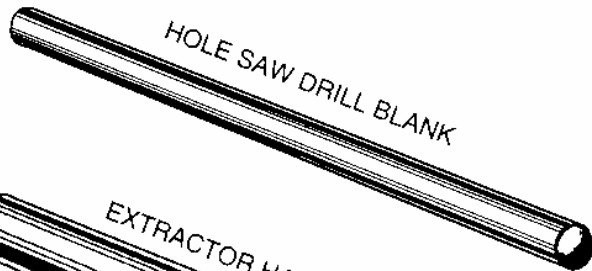


# HIT-22

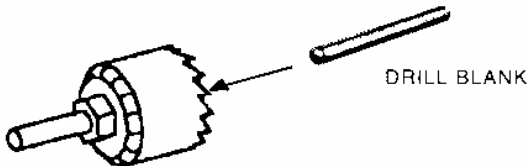
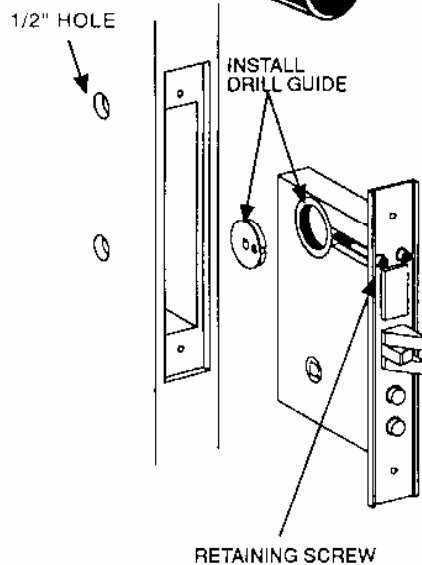
## MORTISE CYLINDER INSTALLATION KIT INSTRUCTIONS FOR USE

DRILL GUIDE



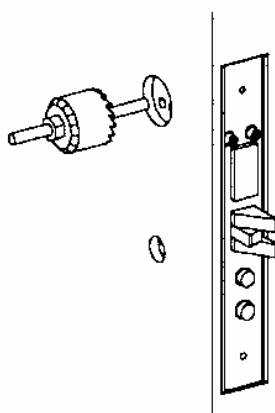
### STEP 1:

Drill a 1/2" to 5/8" hole in door at the approximate location of the mortise cylinder. Install the HIT-22 Drill Guide in the cylinder hole of the mortise lock and secure with the cylinder retaining screw. Install the mortise lock with the HIT-22 in the door.



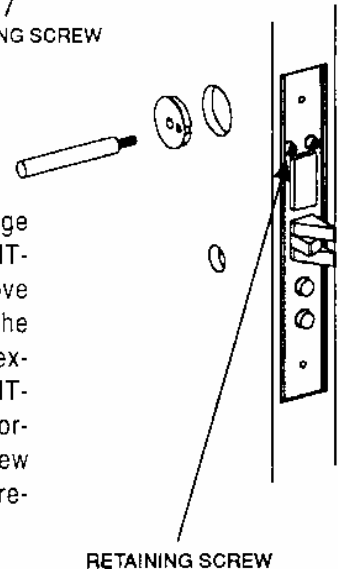
### STEP 2:

Remove the pilot drill from a 1-1/4" hole saw and replace with the drill blank that came with the kit. The drill blank should protrude about 5/8" from the hole saw for use on a 1-3/4" door. You will be able to see the HIT-22 drill guide thru the 1/2" hole that was drilled in step one. Place the drill blank in the Hit-22 guide hole and drill the cylinder hole. Use care to avoid drilling into the mortise lock case, or with Adams-Rite locks, hitting any obstructions in the lock with the drill blank. The cylinder hole will now be perfectly centered.



### STEP 3:

The cylinder hole is large enough to remove the HIT-22 without having to remove the mortise lock from the door. Simply screw the extractor handle into the HIT-22 guide, loosen the mortise cylinder retaining screw and the HIT-22 can be removed.



# Major

MANUFACTURING, INC. (714) 772-5202